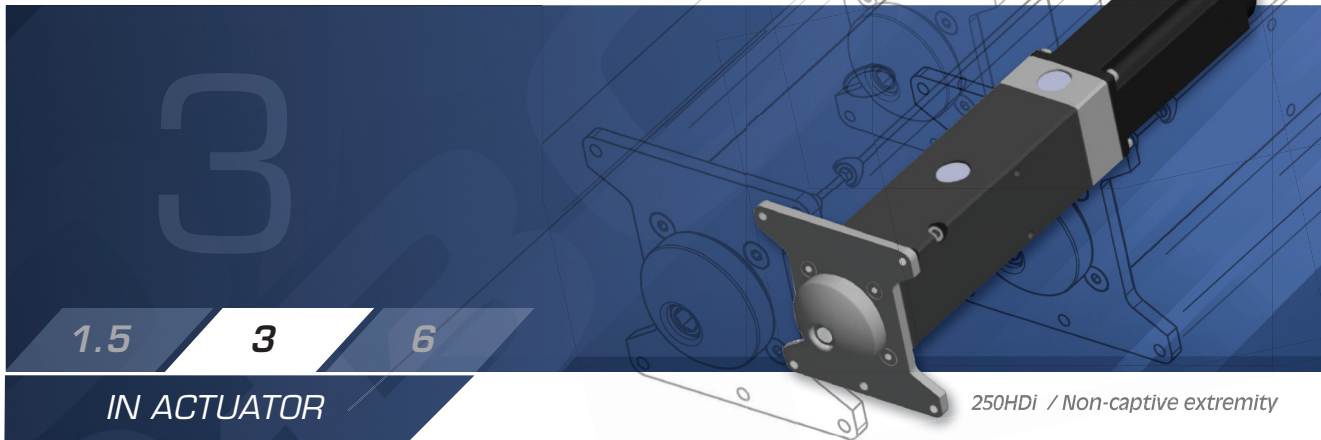


# D-BOX GEN II ACTUATORS

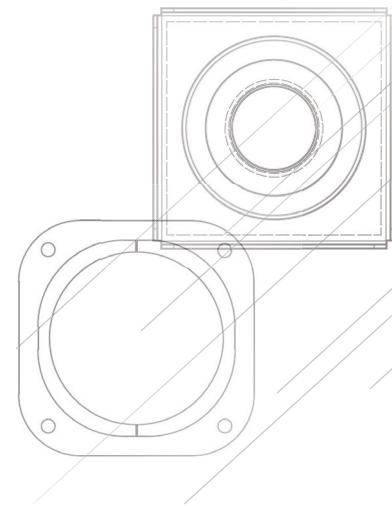


Configurations can encompass from 1 to 7 actuators in order to replicate the expected degrees of freedom (DOF). Vertically installed Gen II Actuators deliver three axes of movement (roll, pitch and heave). Horizontally installed Gen II Actuators deliver three axes of movement (sway, surge and yaw). Our basic “i” model can support most configurations. The HD model is intended for more robust and intensive usage. Users can choose between Captive and Non-Captive extremities as well as attachment brackets with L and U options.

## PERFORMANCES

FEATURES	250 i	400 i
Actuator orientation	Vertical/Horizontal	
Power requirement	120V / (230V with ACM 230S)	
Maximum vertical lift	3" / 76,2 mm	
Maximum velocity	± 100 mm/sec	
Maximum acceleration	± 1 g-force	
Frequency range	0-100 Hz	
Operating T° range	0-40°C	
Operating humidity	10 to 75%	

FEATURES	250 i	400 i	
Max. lifting capacity / Actuator*	250 lb / 114 kg	400 lb / 182 kg	
Max. horizontal capacity / Actuator	In case of an horizontal installation of actuators, it is considered as average result that translation on limited friction surfaces can be done on weights up to 3 times nominal lifting capacity of Gen II Actuators.		
POWER REQUIREMENT (120V KIT)	- 2 Actuator Kit	120 VAC, 60 Hz, 2,5 A	120 VAC, 60 Hz, 2,5 A
	- 3 Actuator Kit	120 VAC, 60 Hz, 3,5 A	120 VAC, 60 Hz, 3,5 A
	- 4 Actuator Kit	120 VAC, 60 Hz, 5 A	120 VAC, 60 Hz, 5 A
POWER REQUIREMENT (230V KIT)	- 2 Actuator Kit	230 VAC, 60 Hz, 1,5 A	230 VAC, 60 Hz, 2 A
	- 3 Actuator Kit	230 VAC, 60 Hz, 2 A	230 VAC, 60 Hz, 2,5 A
	- 4 Actuator Kit	230 VAC, 60 Hz, 2,5 A	230 VAC, 60 Hz, 3,5 A



NOTE: It is not recommended to connect your D-BOX system to a GFCI breaker type

Electric consumption\*\*\* 2 actuators setup 17\$ / year ; 4 actuators setup 32\$ / year.

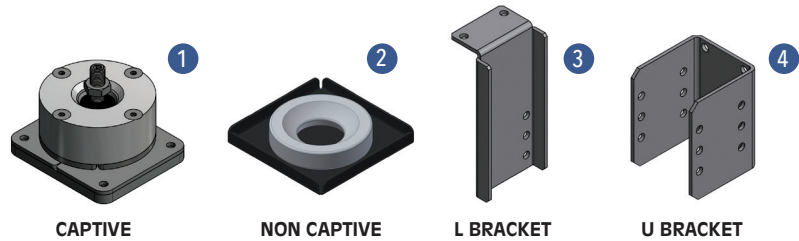
\* Weight distribution must be evenly spread on the activated motion platform to ensure Actuator maximum payload, inquire for more information.

\*\*\* Based on a scenario of 250 lb, 8 hours per day at a cost of 0.08 \$ KW/h.

## EXTREMITIES & BRACKETS

Actuator extremities can be captive or non captive.

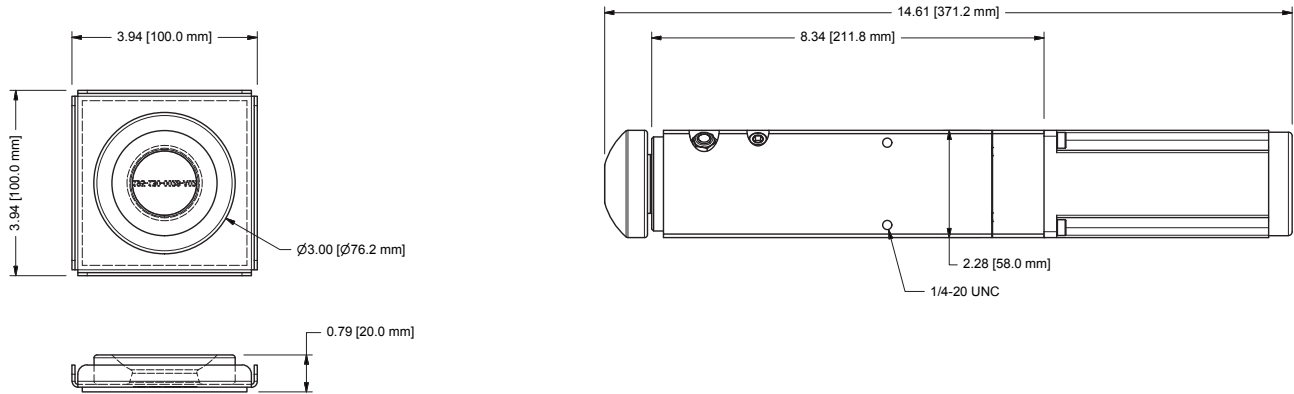
1. Allows the actuator to be attached to a sub-platform or on solid ground
2. For free flowing push against the floor with provided cupholder
3. To attach the actuators beneath the platform
4. To attach the actuators to the side of the platform



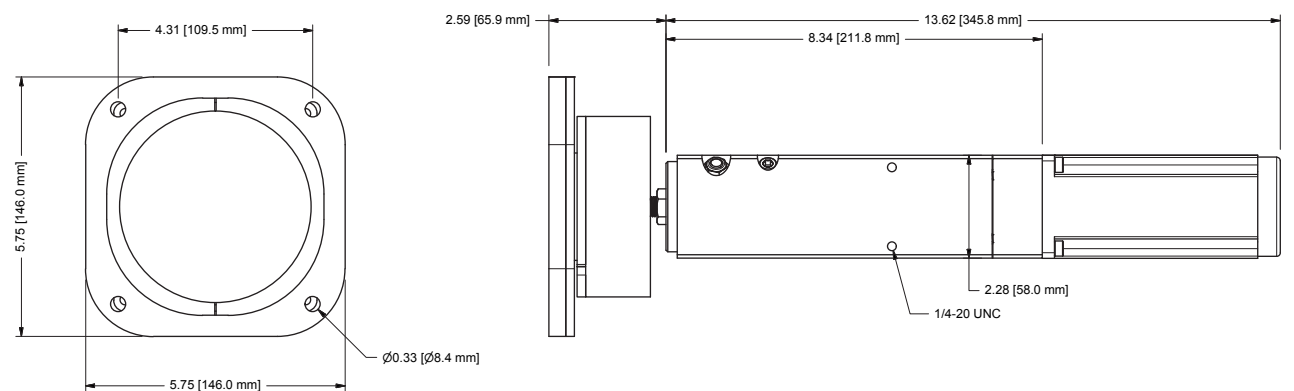
## OVERALL DIMENSIONS

The 250i-3 model is shown below. For specific information regarding other models, please email: [simulation@d-box.com](mailto:simulation@d-box.com)

### NON-CAPTIVE



### CAPTIVE



© 2016 D-BOX Technologies. All Rights Reserved. Specifications are subject to change without notice. D-BOX is a registered trademark. All other brand or product names are trademarks of their respective owners. Product photos and pictures are for illustration purposes only and may differ from the real product's appearance.

[dbox.com](http://dbox.com)



**D-BOX**  
// Move the World®